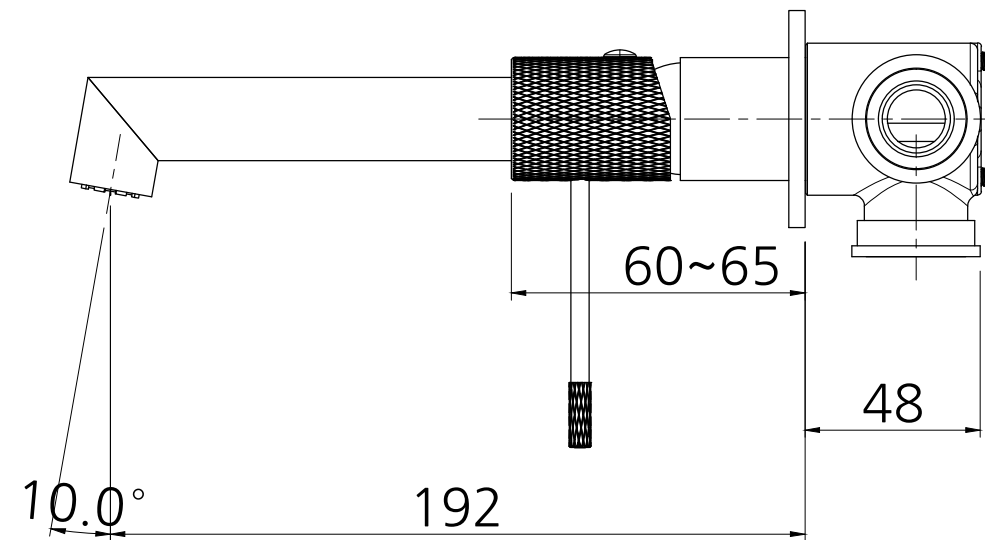
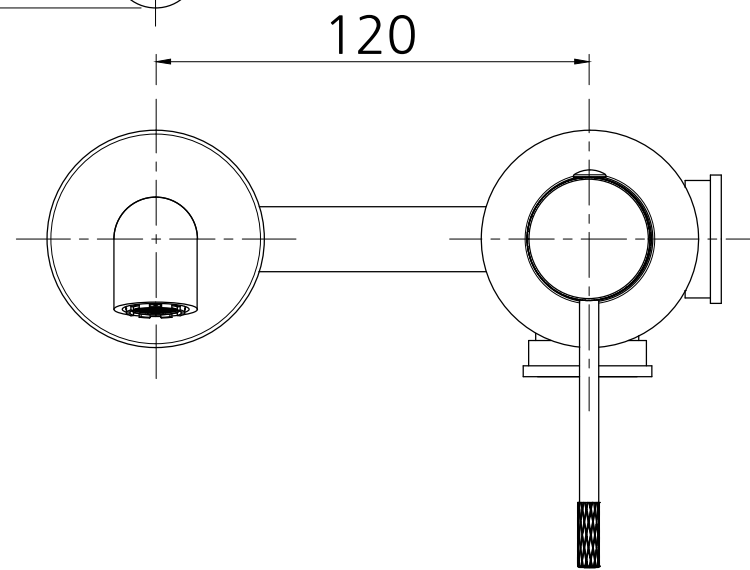
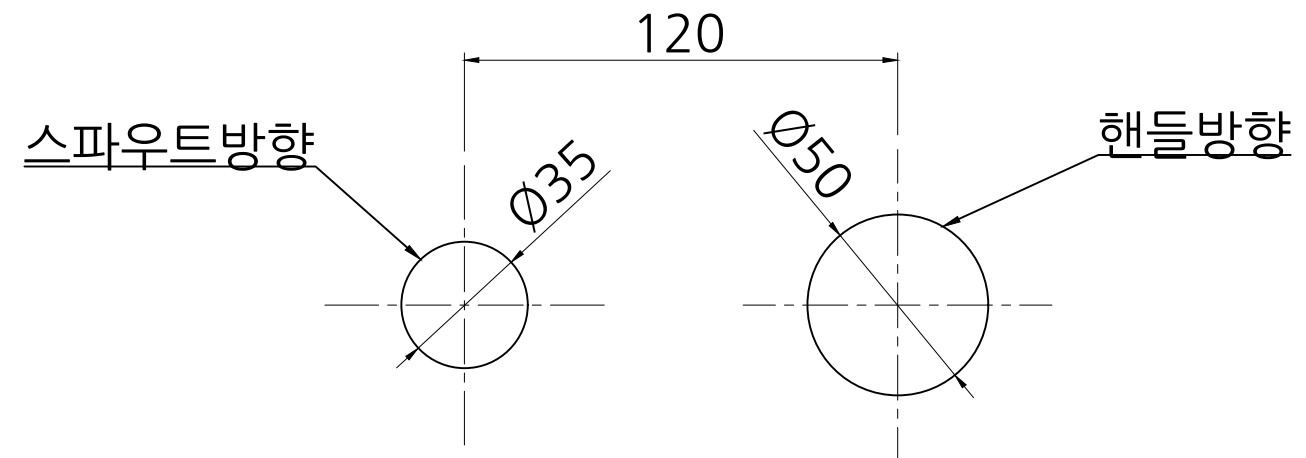


*타일 타공 치수



PROJECT TITLE		
대림바스(주) Single lever		
DRAWING TITLE		
LUSSO 매립형세면수전		
CODE NO.		
HFL A19		
DRAWN BY	CHECKED BY	APPROVED BY
DATE	DATE	DATE

DRAWING NO.

1/2

대림바스(주) Single lever_LUSSO_매립형세면수전_HFL A19